

Sapphire CDRH Controller

Operate, Control and Monitor Sapphire Laser Heads

The Sapphire CDRH Controller provides controller and power supply in a wall plug-ready box, featuring a standby/laser ON switch and remote control options via Analog, RS-232 and USB interface.

The CDRH Controller enables and simplifies stand-alone applications: it can operate, control and monitor all Sapphire laser heads. A Sapphire CDRH laser head and a Sapphire CDRH Controller when properly installed is CDRH-compliant.

FEATURES & BENEFITS

- One-box wall plug controller and power supply
- Enables stand-alone applications (CDRH Compliant)
- Standby/Laser ON key switch
- Remote interlock
- Remote control option via Analog, RS-232, or USB interface
- Laser power adjustment and graphic display (optional)
- Front panel control with laser power adjustment and status display (optional)
- Status LEDs

SAPPHIRE CDRH CONTROLLER FOR:

- Sapphire LP
- Sapphire FP
- Sapphire SF
- Sapphire SF NX
- Sapphire LPX



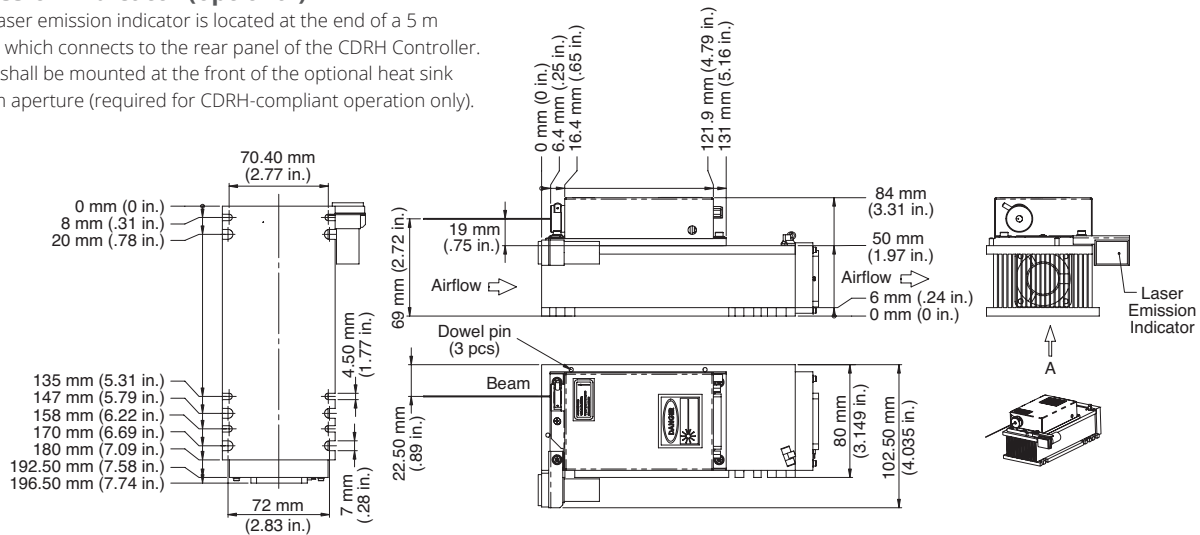
UTILITY AND ENVIRONMENTAL REQUIREMENTS	Sapphire LP/FP/SF CDRH Controller	Sapphire SF NX/LPX CDRH Controller
Power Consumption (VA)	<150	
Operating Voltage	100 to 240 VAC ±10%, 50/60 Hz	
Ambient Temperature Operating Conditions Non-Operating Conditions	10 to 40°C (50 to 104°F), non-condensing -30 to 60°C (-22 to 140°F)	
Dimensions ¹ (L x W x H)	196 x 164 x 99.5 mm (7.72 x 6.46 x 3.92 in.)	230 x 198 x 90 mm (9.06 x 7.80 x 3.54 in.)
Cable Length (Head to Controller)	2 m (6.56 ft.), optional 5 m (16.4 ft.)	2 m (6.56 ft.)
Weight	1.85 kg (4.08 lbs.)	2.5 kg (5.51 lbs.)
Part Number	1189089 (Sapphire LP/FP/SF CDRH Controller) 1170412 (Sapphire LP/FP CDRH Controller w/o display)	1397910 (Sapphire SF NX CDRH Controller) 1398222 (Sapphire LPX CDRH Controller)

¹ Please consider additional space for the front panel switches and the cable connections on the rear panel

MECHANICAL SPECIFICATIONS

Laser Emission Indicator (optional)

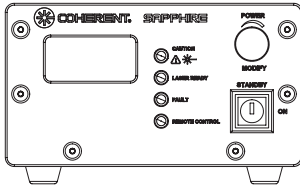
The optional laser emission indicator is located at the end of a 5 m (16.4 ft.) cable which connects to the rear panel of the CDRH Controller. This indicator shall be mounted at the front of the optional heat sink near the beam aperture (required for CDRH-compliant operation only).



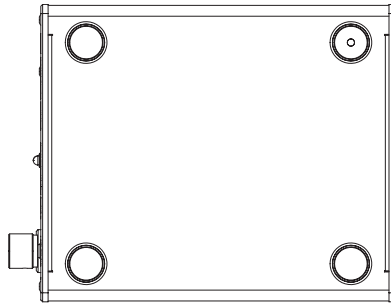
MECHANICAL SPECIFICATIONS

CDHR Controller - Sapphire LP/FP/SF

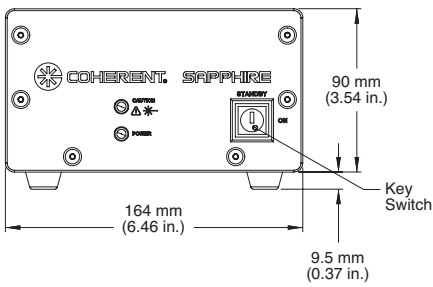
Front View
(Display Version)



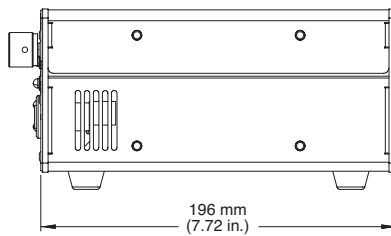
Top View



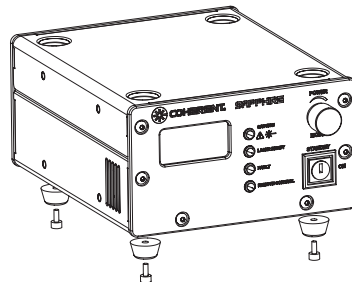
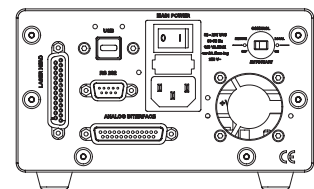
Front View
(Non-Display Version)



Side View



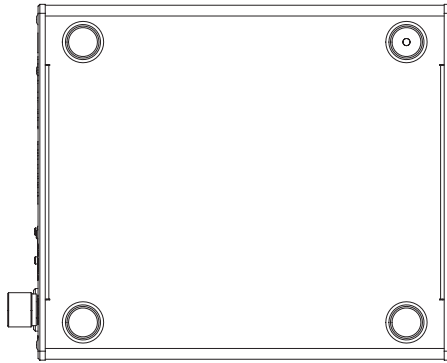
Rear View



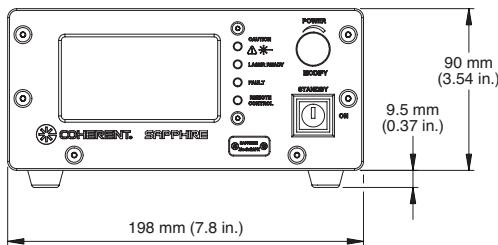
MECHANICAL SPECIFICATIONS

CDRH Controller - Sapphire LPX/SF NX

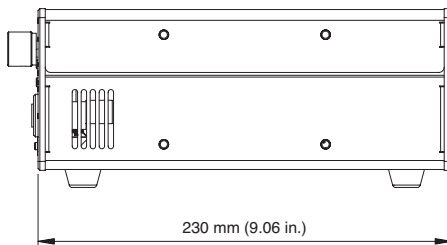
Top View



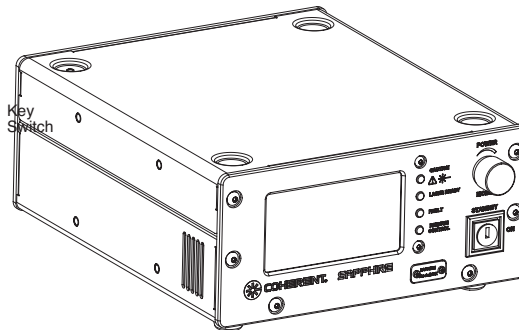
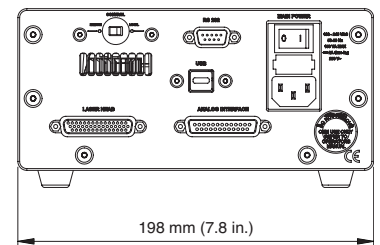
Front View



Side View

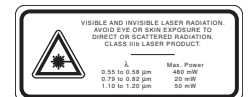
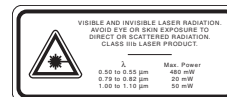
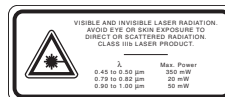
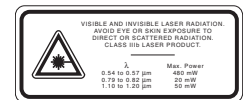
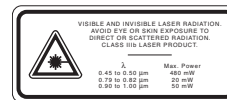
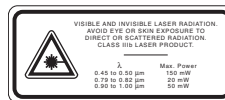


Rear View

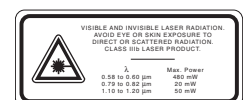


Coherent, Inc.,
5100 Patrick Henry Drive Santa Clara, CA 95054
p. (800) 527-3786 | (408) 764-4983
f. (408) 764-4646

tech.sales@Coherent.com www.coherent.com



U.S. Patent No. 5,954,978
U.S. Patent No. 5,991,318
U.S. Patent No. 6,097,742
U.S. Patent No. 6,167,068
U.S. Patent No. 6,370,168



Coherent follows a policy of continuous product improvement. Specifications are subject to change without notice. Coherent's scientific and industrial lasers are certified to comply with the Federal Regulations (21 CFR Subchapter J) as administered by the Center for Devices and Radiological Health on all systems ordered for shipment after August 2, 1976.

Coherent offers a limited warranty for all Sapphire CDRH Controllers. For full details of this warranty coverage, please refer to the Service section at www.coherent.com or contact your local Sales or Service Representative. MC-022-14-0M0220Rev.C Copyright ©2020 Coherent, Inc.