

EnergyMax Heat Sinks

Accessories for EnergyMax Sensors

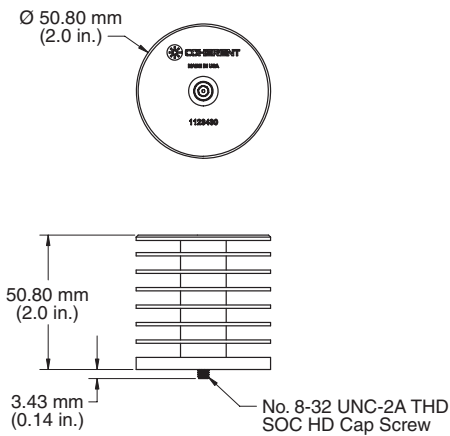
Features

- Extend EnergyMax energy and/or repetition rate range
- Easily attach to EnergyMax sensors in the field
- Two heat sinks for 25 mm sensors (small, medium)
- One heat sink for 50 mm sensors (large)

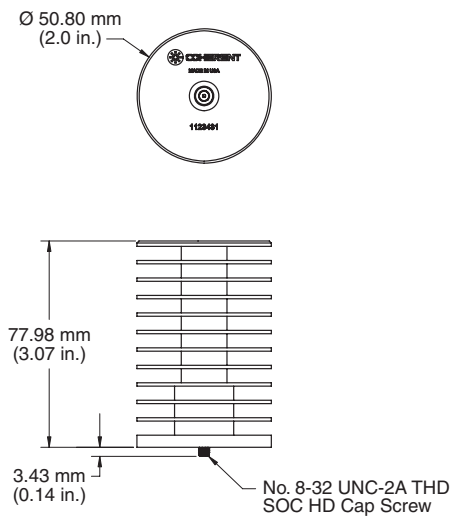


Mechanical Specifications

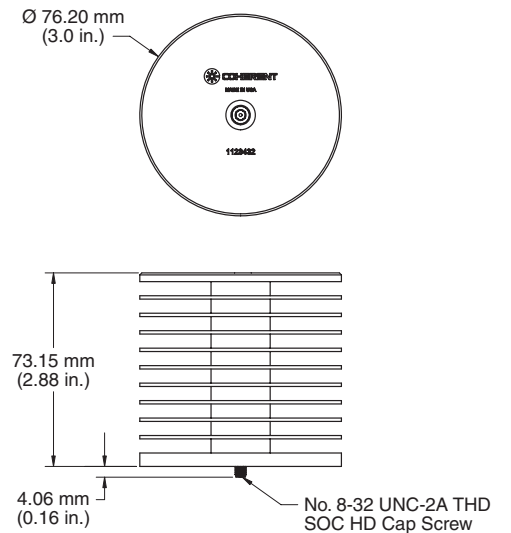
Small Heat Sink



Medium Heat Sink



Large Heat Sink



Superior Reliability & Performance

EnergyMax™ Heat Sinks

Accessories for EnergyMax Sensors

Average Power Specifications¹

Sensor Model	Aperture (mm)	Wavelength (nm)	No Heat Sink (W)	Small Heat Sink (W)	Medium Heat Sink (W)	Large Heat Sink (W)
J-10MB-LE & -HE	10	1064	4	NA	NA	NA
J-25MB-LE & -HE	25	1064	5	10	15	NA
J-50MB-LE & -HE	50	1064	10	NA	NA	24
J-25MUV-193	25	193	5	10	15	NA
J-25MUV-248	25	248	5	10	16	NA
J-50MUV-193	50	193	18	NA	NA	43
J-50MUV-248	50	248	15	NA	NA	36
J-25MT-10KHZ	25	1064	10	20	31	NA
J-50MT-10KHZ	50	1064	20	NA	NA	49
J-50MB-YAG	50	1064	20	NA	NA	48
J-25MB-IR	25	1064	20	41	62	NA

¹ The average power specification is dependent upon coating and wavelength. This table provides average power ratings for several wavelength and sensor combinations.

Description

These heat sink accessories can be used to increase the average power capability of EnergyMax sensors. These heat sinks measure your pulsed laser at higher repetition rates or at higher energy levels.

The heat sinks are easily installed by threading them onto the back of a sensor housing with a 1/4-20 cap screw retained within the heat sink.

The small and medium models are for use with sensors that have a 25 mm diameter aperture, and increases the average power handling to 10W to 30W (coating and wavelength dependent). The large heat sink is for use with 50 mm diameter aperture sensors and increases the average power handling to 20W to 40W (coating and wavelength dependent).



Coherent follows a policy of continuous product improvement. Specifications are subject to change without notice.

Coherent's EnergyMax sensors are compliant with the EU Restriction of Hazardous Substances (RoHS) and Waste Electrical and Electronic Equipment (WEEE) Directives. They also meet the intent of Directive 89/336/EEC for Electromagnetic Compatibility (CE). CE compliance was demonstrated per testing to EN61326 Electromagnetic Compatibility Product Family Standard for Measurement, Control and Laboratory Equipment.

Coherent offers a Limited Warranty for all EnergyMax heat sinks. For full details of this warranty coverage, please refer to the 'Warranty Information for Instruments' webpage under the service section of our website at www.Coherent.com or contact your local Sales or Service representative.



www.Coherent.com

Coherent, Inc.
 5100 Patrick Henry Drive
 Santa Clara, CA 95054
 phone (800) 527-3786
 (408) 764-4983
 fax (800) 362-1170
 (408) 988-6838
 e-mail LMC.sales@Coherent.com

Benelux +31 (30) 280 6060
 China +86 (10) 6280 0209
 France +33 (0)1 6985 5145
 Germany +49 (6071) 9680
 Italy +39 (02) 34 530 214
 Japan +81 (3) 5635 8700
 Korea +82 (2) 460 7900
 UK +44 (1353) 658 833