

J-Power Pro Power Supply

DB-25-to-BNC Adapter

The Coherent J-Power Pro is a compact sensor adapter that powers the active sensor circuit and passes the raw output voltage of the sensor straight through to the BNC connector. The peak voltage of the output (as referenced from baseline voltage) can then be measured using an oscilloscope or other analog-to-digital input device. The calibrated peak voltage represents the integrated energy of the laser pulse.

J-Power Pro Features:

- J-Power Pro is compatible with all Coherent DB-25 energy sensors and PowerMax-Pro sensors
- Peak voltage output can be measured using an oscilloscope or other analog-to-digital input devices
- Includes internal Li-ion rechargeable battery
- Powers the 5VDC active sensor circuit

J-Power Pro Applications:

- Scientific
- Engineering
- Embedded power supply in laser processing systems



Superior Reliability & Performance

J-Power Pro Power Supply

DB-25-to-BNC Adapter

System Specifications

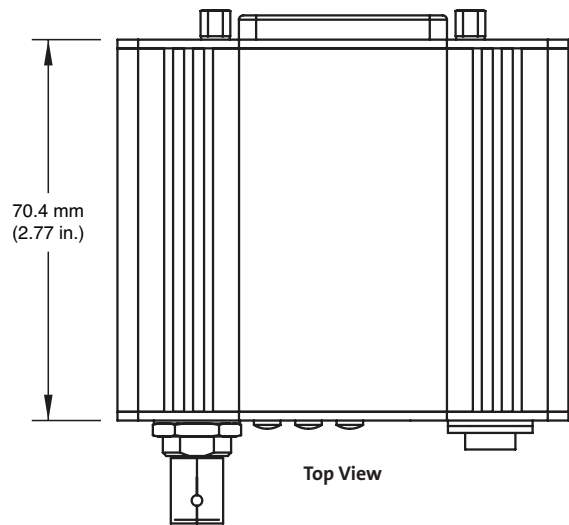
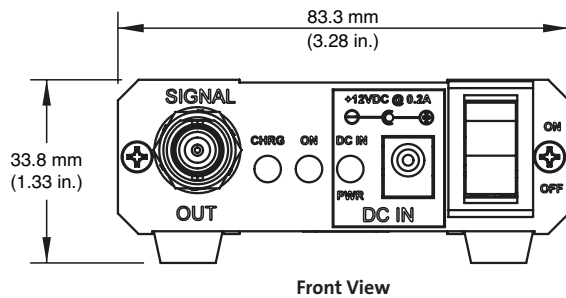
J-Power Pro

Battery Power Requirements	Internal 3.6V, 1320mAh lithium polymer
Signal Noise ¹	<0.5 mV peak-to-peak noise contributed by J-Power
Battery Life (approximate)	20 hour (when used with EnergyMax™ Sensors)
Battery Charging Time (approximate)	10 Hour (maximum)
Part Number ²	1273690

¹ Scope and sensor noise will dominate and may exceed this level.

² Supplied with AC power adapter.

Mechanical Specifications



www.Coherent.com

Coherent, Inc.,

5100 Patrick Henry Drive
 Santa Clara, CA 95054
 phone (800) 527-3786
 (408) 764-4983
 fax (408) 764-4646
 e-mail tech.sales@Coherent.com

Benelux +31 (30) 280 6060
 China +86 (10) 8215 3600
 France +33 (0)1 8038 1000
 Germany/Austria/
 Switzerland +49 (6071) 968 333
 Italy +39 (02) 31 03 951
 Japan +81 (3) 5635 8700
 Korea +82 (2) 460 7900
 Taiwan +886 (3) 505 2900
 UK/Ireland +44 (1353) 658 833

Coherent follows a policy of continuous product improvement. Specifications are subject to change without notice.

Coherent's J-Power Pro Power Supplies are compliant with the EU Restriction of Hazardous Substances (RoHS) and Waste Electrical and Electronic Equipment [WEEE] Directives. They also meet the intent of Directive 89/336/EEC for Electromagnetic Compatibility (CE). CE compliance was demonstrated per testing to EN61326 Electromagnetic Compatibility Product Family Standard for Measurement, Control and Laboratory Equipment.

Coherent offers a One Year Warranty for all J-Power Pro Energy Sensor Power Supplies. For full details of this warranty coverage, please refer to the "Warranty Information for Instruments" webpage under the Service section of our website at www.Coherent.com or contact your local Sales or Service representative.